

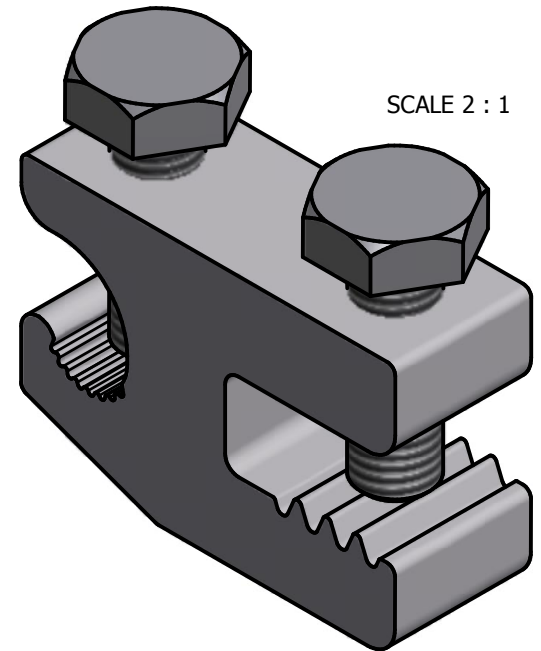
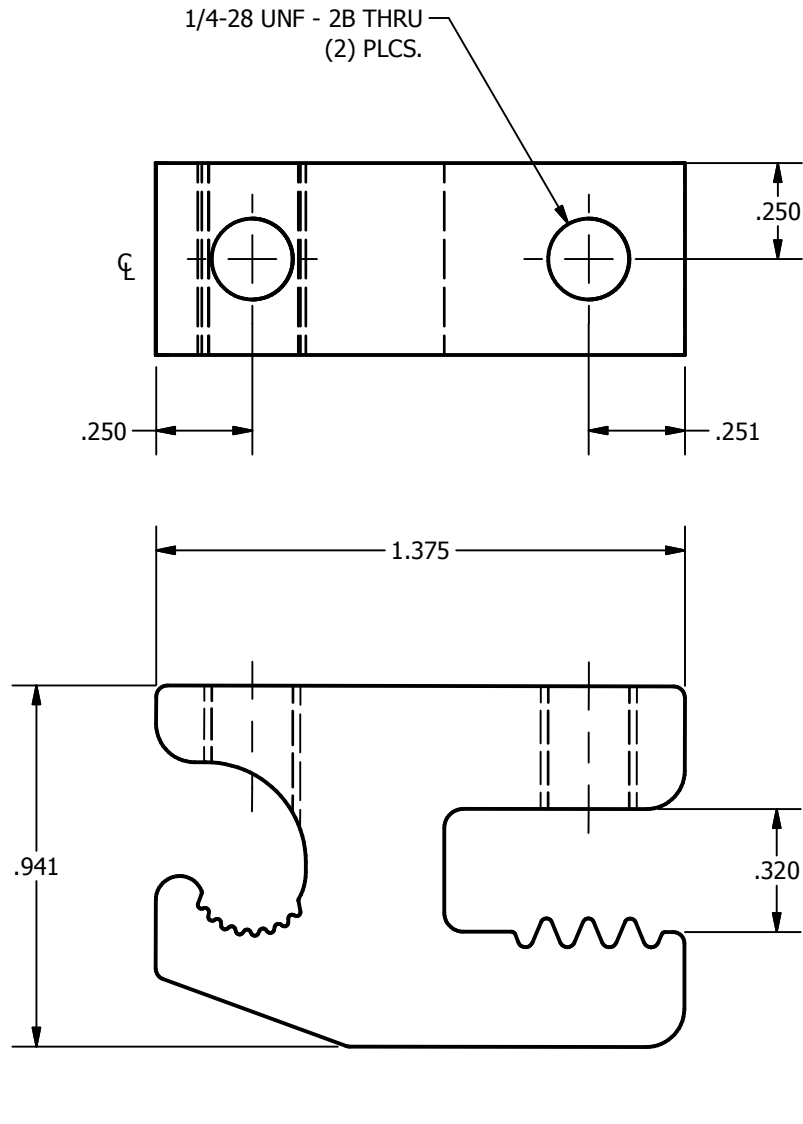


SCREW: SEE CHART	MATERIAL: ALUMINUM	REV: H	<b>ILSCO</b> connections— matter	
CAT. NO.: SGB-4	PLATING: EL-TIN	DRAWN BY: NN	SCALE: 2:1	800-776-9775 www.ilsco.com
INFORMATION SHEET: FORM 184	MARKING: ILSCO, SGB-4, 4-14 SOL-STR, 35 IN-LBS, AL-CU, PAT. NO. D745,846 S,  , 	DATE: 7/22/2010	SIZE: A	DWG. NO. <b>G1040</b>
				SHEET: 1 OF 1



PART NUMBER	SCREW
G1040A00T	E1495C00A
G1040A02T	E1495C00H