
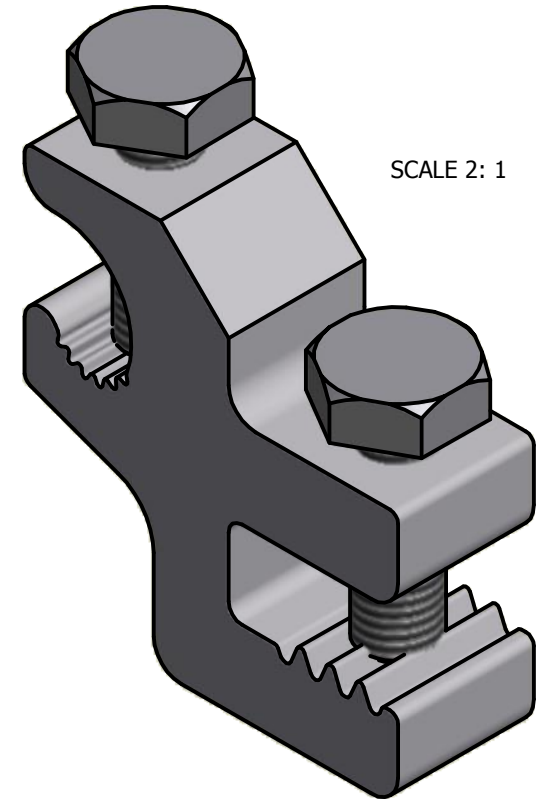
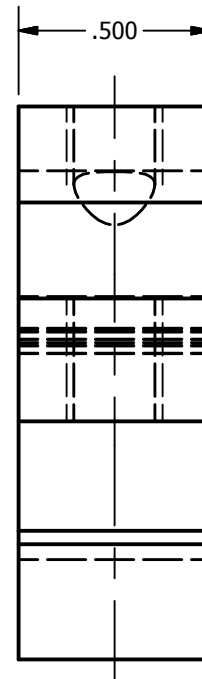
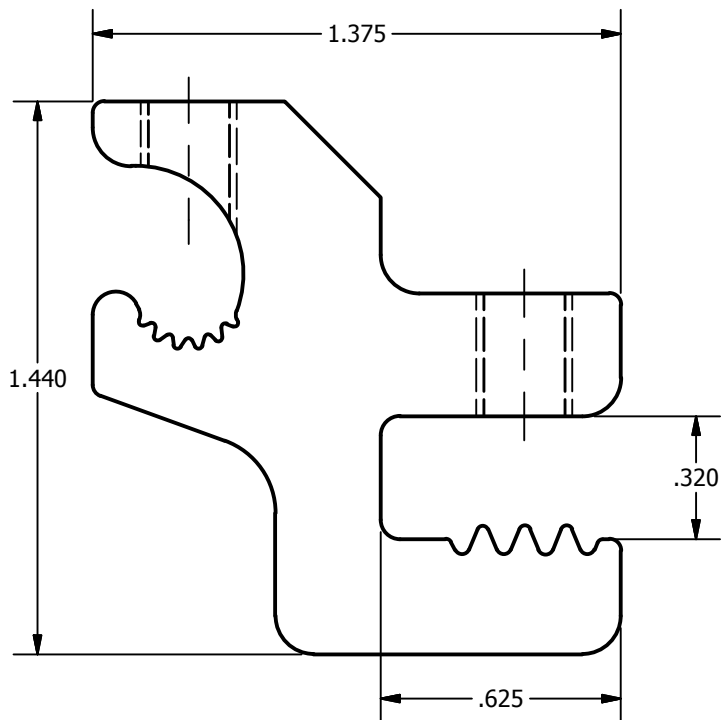
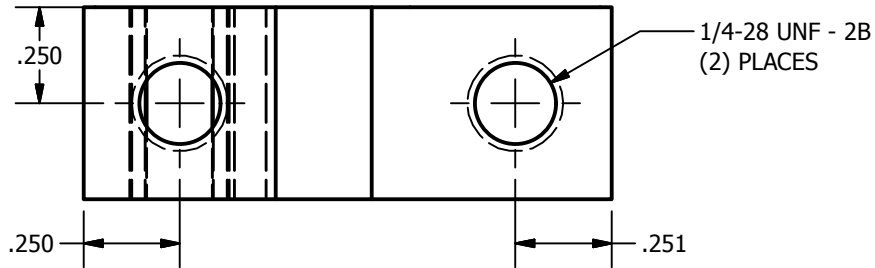


SCREW: SEE CHART	MATERIAL: ALUMINUM	REV: G	 800-776-9775 www.ilsco.com		
CAT. NO.: SGB-5	PLATING: EL-TIN	DRAWN BY: EB			SCALE: 2:1
INFORMATION SHEET: FORM 184	MARKING: ILSCO, SGB-5, 4-14 SOL-STR, 35 IN-LBS, AL-CU	DATE: 8/6/2012			SIZE: A
				DWG. NO. G1043	
				SHEET: 1 OF 1	



PART NUMBER	SCREW
G1043A00T	E1495C00A
G1043A02T	E1495C00H