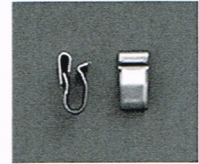
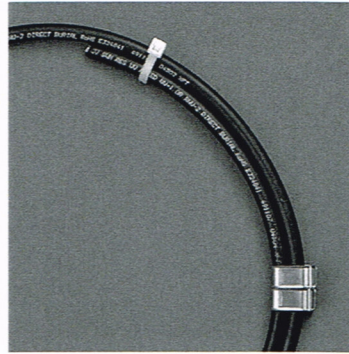
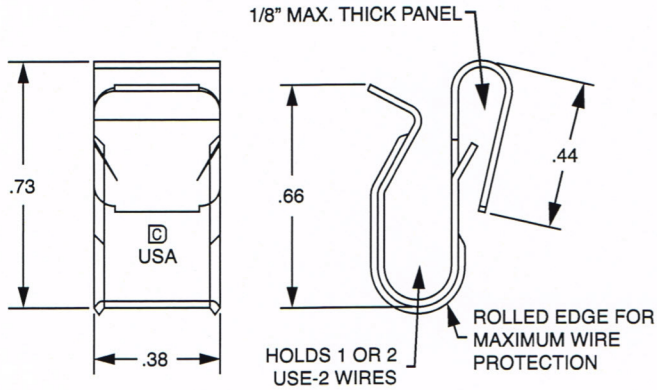



DCS-1306

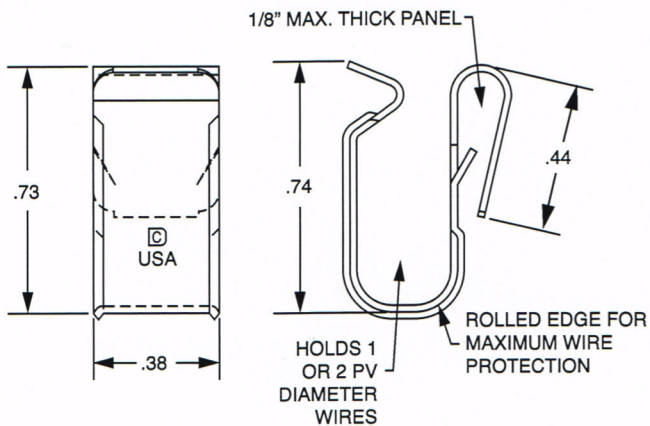


DCS-1306




- **Made In the USA** 
- **Why Pay More for Imported Parts**
- **410 Stainless Steel**
- **No Tools Required**
- **No Protruding Leads**
– Panels will lay flat after clips attached
- **Pricing and Samples on request**

DCS-1307



DCS-1307



- **Made In the USA** 
- **Why Pay More for Imported Parts**
- **410 Stainless Steel**
- **No Tools Required**
- **No Protruding Leads**
– Panels will lay flat after clips attached