



HEYClip™ Stainless Steel SunRunner® 2 Series Cable Clips for Micro-Inverter Cables

- **Designed to hold Micro-Inverter cables** .413" (10,5 mm) to .472" (12,0 mm) in diameter.
- Constructed from heat treated 410 stainless steel for excellent strength and corrosion protection for outdoor exposure.
- Smooth clip edges prevent damage to cable insulation.
- “S” hook clip design will fit a wide variety of extruded aluminum profiles.
- **SunRunner 2** is designed for solar mounting frames such as the ones used by Unirac, Solar Mount and Mounting Systems.
- **SunRunner 2-R** is designed for racking systems such as the ones used by Haticon Solar and S:FLEX.
- **SunRunner 2-U** features a shorter S hook for Unirac and other similar frame profiles.
- Neatly dresses cable on PV panels or along mounting frame channels from .080" (2,0 mm) to .250" (6,4 mm) thick.
- See page 1-9 for typical rack profile applications.
- Not for use in a marine salt water environment. Contact Heyco for alternative materials.
- DFARS Compliant

PANEL THICKNESS CLAMPING RANGE				WIRE DIA. RANGE		PART NO.	DESCRIPTION	FOOTPRINT		REAR TAB LENGTH	
Minimum		Maximum		in.	mm.			in.	mm.	in.	mm.
in.	mm.	in.	mm.			in.	mm.				
SunRunner® 2											
.08	2,0	.25	6,4	.30 - .47	7,6-12,0	S6404	SunRunner® 2 100 Pack	.50 x 1.30	12,7 x 33,0	.84	21,3
						S6444	SunRunner® 2 Bulk				
SunRunner® 2-R											
.38	9,7	.38	9,7	.30 - .47	7,6-12,0	S6402	SunRunner® 2-R 100 Pack	.50 x 1.30	12,7 x 33,0	.41	10,4
						S6442	SunRunner® 2-R Bulk				
SunRunner® 2-U											
.25	6,4	.25	6,4	.30 - .47	7,6-12,0	S6401	SunRunner® 2-U 100 Pack	.50 x 1.30	12,7 x 33,0	.38	9,7
						S6441	SunRunner® 2-U Bulk				



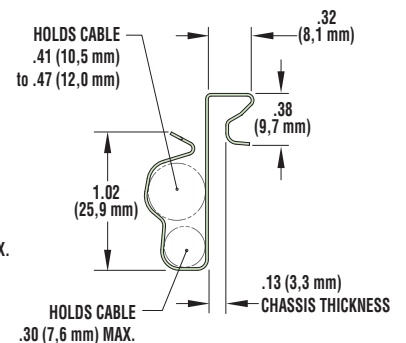
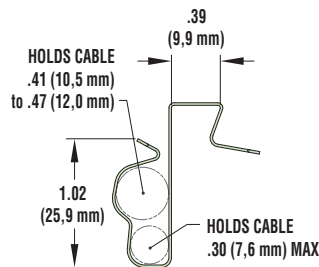
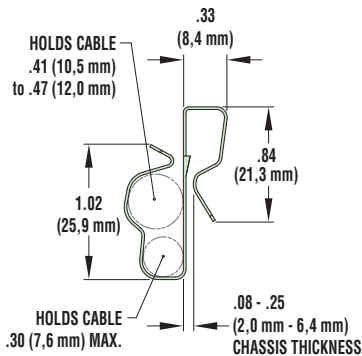
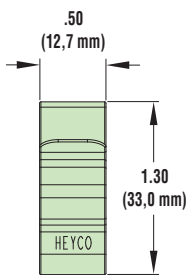
SunRunner 2



SunRunner 2-R



SunRunner 2-U



Quick Specs

Material .020" thick heat treated 410 stainless steel