

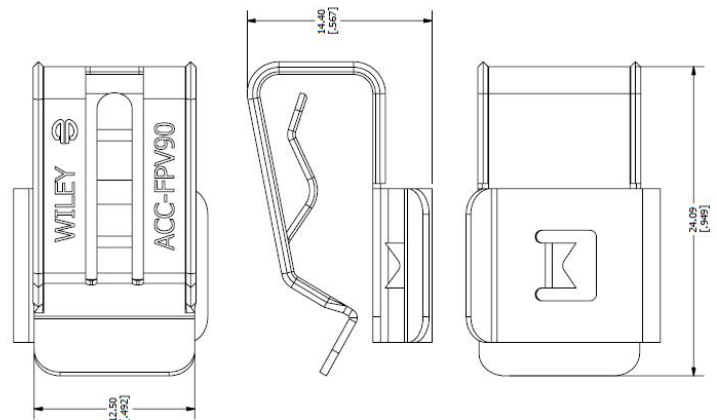


The ACC-FPV90 wire management clip is made of corrosion resistant 304 stainless steel, which makes them a durable, long lasting and reliable solution for all environments. The ACC-FPV90 is easy to install and slides 90 degrees on to module frames of various thicknesses. The ACC-FPV90 accommodates 1 to 2 PV cables up to 8.0mm in diameter. The rolled edges are designed to help protect cable insulation from damage. ACC-FPV90 clips are the perfect solution for keeping the PV installation neat, clean, and free from ground faults.



Catalog Number	ACC-FPV90
Item Number	50085109
Material	304 stainless steel
Width	0.49" [12.5 mm]
Overall Length	0.94" [24.0 mm]
Wire Type	1 to 2 PV cables
Wire Diameter	5.0mm to 8.0mm per each wire
Orientation	90 Degrees
Max Wire Diameter	0.31" [8.0 mm]
Compatible on modules/purlins with a flange thickness range of 1.0 to 3.0mm	

- Innovative design that allows for quick and easy installations
- High quality, long-lasting, labor saving wire management solution
- Corrosion resistant 304 stainless steel provides outstanding durability and performance in all environments
- Snake tongue tabs securely anchor clips to module frames or purlins
- Compatible on modules/purlins with a flange thickness range of 1.0 to 3.0mm
- Installs in a 90 degree orientation
- Considerate lead in for installation without tools
- Accommodates all types of PV cable
- Rolled edges protect cable insulation from damage
- Lasts for the lifetime of the Solar PV system
- Recommended for outdoor use
- RoHS Compliant
- UL1565 Listed
- Environmentally Tested - UL2703 & ATSMB117
- Custom designs are available upon request



Customer Service 1-800-346-4175 | International 603-647-5299 | Canada 1-800-387-6487 | www.burndy.com