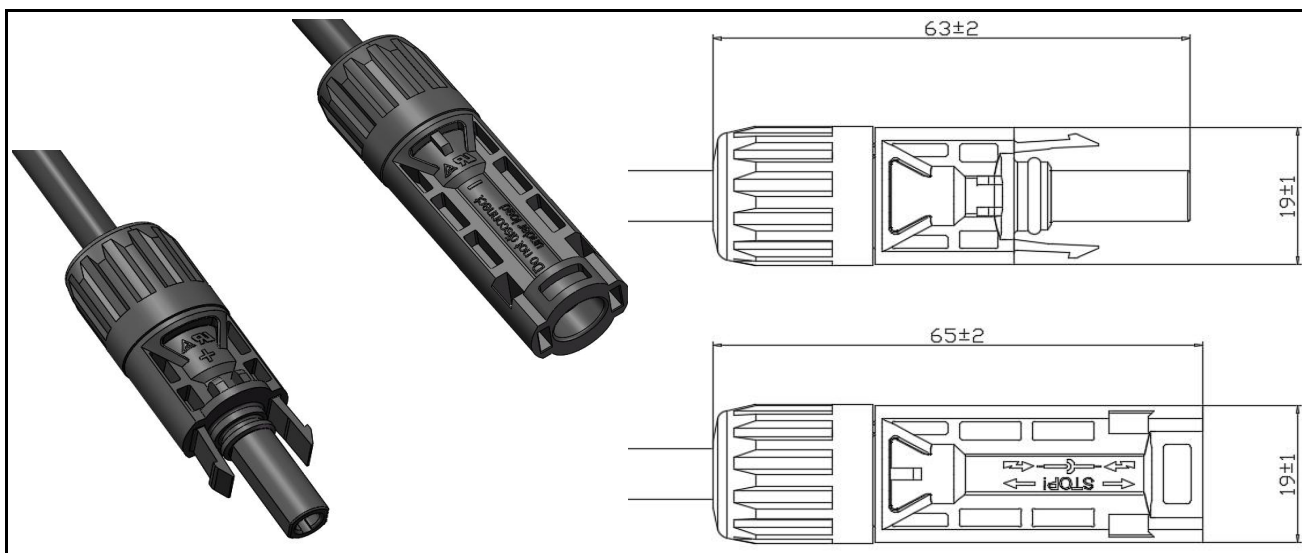


PV Connector

C2 / LJ-01 (1500V)



晖朗科技
Holysun



Technical Data

Electrical Properties		Environment Properties	
Rated Voltage	1500V (TÜV for C2 / LJ-01) 1500V (UL for LJ-01)	Protection Degree	IP68
Rated Current	30A(4mm ²)	Pollution Degree	1/2/3/4
Contact Resistance	≤0.3mΩ	Temperature Range	-40°C~+85°C
Insulation resistance	>3.0GΩ		
Dielectric Strength	8KV (TÜV)		
Mechanical Properties		Material Properties	
Dimension	As shown in the figure	Screw nut	PA
Wire Size Range	4mm ² / 6mm ² (TÜV)	Housing	PPE
Cable diameter	6.1~6.7mm (LJ-01)	Seal	Silicone
	5.5~6.3mm (C2)	Terminal	Copper

Certification

• TÜV Rheinland Certification No.	R 50435943 (for C2 / LJ-01)
• UL Certification No.	E508412 (for LJ-01)

Description

- Apply to PV field and Monocrystalline & polycrystalline silicon PV modules
- High rated voltage with 1500V, and high current carrying capability
- Cable connected by crimping and controlled by cross-section inspection, to ensure low contact resistances