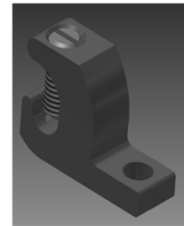
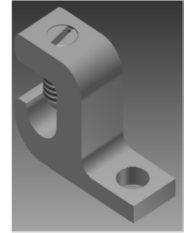
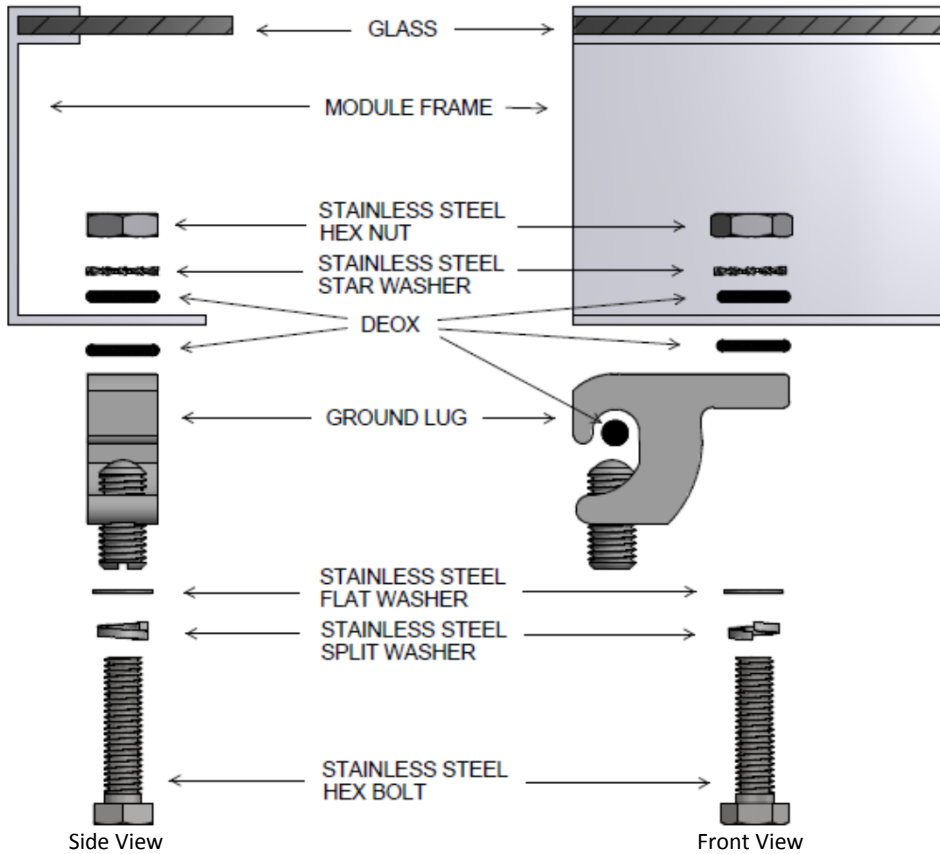


INFORMATION SHEET

GBL-4SS, GBL-4DBT, GBL-4DBTH, GBL-4DBT-14, and GBL-4DBTH-14 Ground Lugs Installation Instructions for Photo Voltaic Applications



- 1) Install GBL-4SS, GBL-4DBT, GBL-4DBTH, GBL-4DBT-14 or GBL-4DBTH-14 ground lug per diagram (use #10-32 mounting hardware for GBL-4SS, GBL-4DBT or GBL-4DBTH; use 1/4-28 mounting hardware for GBL-4DBT-14* or GBL-4DBTH-14*)
- 2) Apply a liberal amount of conductor (ILSCO DE-OX oxide inhibitor) on front and back side of module frame at mounting hole. Although not required, ILSCO strongly recommend the use of conductor compound between the mounting surfaces in order to better protect the connection in all environmental conditions and promote connection longevity
- 3) For GBL-4SS, GBL-4DBT or GBL-4DBTH, apply 35 in-lbs mounting torque to #10 mounting bolt
- 4) For GBL-4DBT-14 or GBL-4DBTH-14, apply 72 in-lbs mounting torque to 1/4" mounting bolt
- 5) Apply a liberal amount of conductor compound (ILSCO DE-OX oxide inhibitor) in wireway of ground lug
- 6) Install ground conductor in lug and torque wire screw to the following:
 - 4 - 6 AWG: 35 in-lbs.
 - 8 AWG: 25 in-lbs.
 - 10 - 14 AWG: 20 in-lbs.

*Flat washer and split washer are not required

Additional Information:

- a) GBL-4SS, GBL-4DBT, GBL-4DBTH are suitable for use with flat-surfaced anodized aluminum or galvanized steel designated G90 minimum. The acceptable mounting hole diameter is 0.196 inches \pm 0.004 inches (4.98mm \pm .1mm).
- b) GBL-4DBT-14, GBL-4DBTH-14 are suitable for use with flat-surfaced galvanized steel designated G90 minimum. The acceptable mounting hole diameter is 0.270 inches \pm 0.004 inches (6.86mm \pm 0.1mm).
- c) The acceptable framing material thickness is a minimum of 0.062 inches (1.57mm) to 0.250 inches (6.35mm), with a flat surface are of no less than 34 by 12mm (bottom of the lug).
- d) For use with Listed Photovoltaic Modules or Listed Mounting systems where described in the Listed PV Modules or Listed Mounting System Installation Instructions.
- e) For sizing of an Equipment Grounding Conductor (EGC), the rating of the Overcurrent Protection Device (OCPD) in circuit ahead of the Equipment shall not exceed the values in NEC table 250.122 where the EGC is only required to be larger than the circuit conductors supplying the equipment.
- f) For use with a Grounding Electrode Conductor (GEC), the size of the conductor shall comply with NEC articles 250.66 for AC systems and 250.166 for DC systems.
- g) Rated maximum system overcurrent protection (Cu conductor):

| | |
|---------|-------|
| 14 AWG: | 15A |
| 12 AWG: | 20A |
| 10 AWG: | 40A |
| 8 AWG: | 90 A |
| 6 AWG: | 150 A |
| 4 AWG: | 200 A |